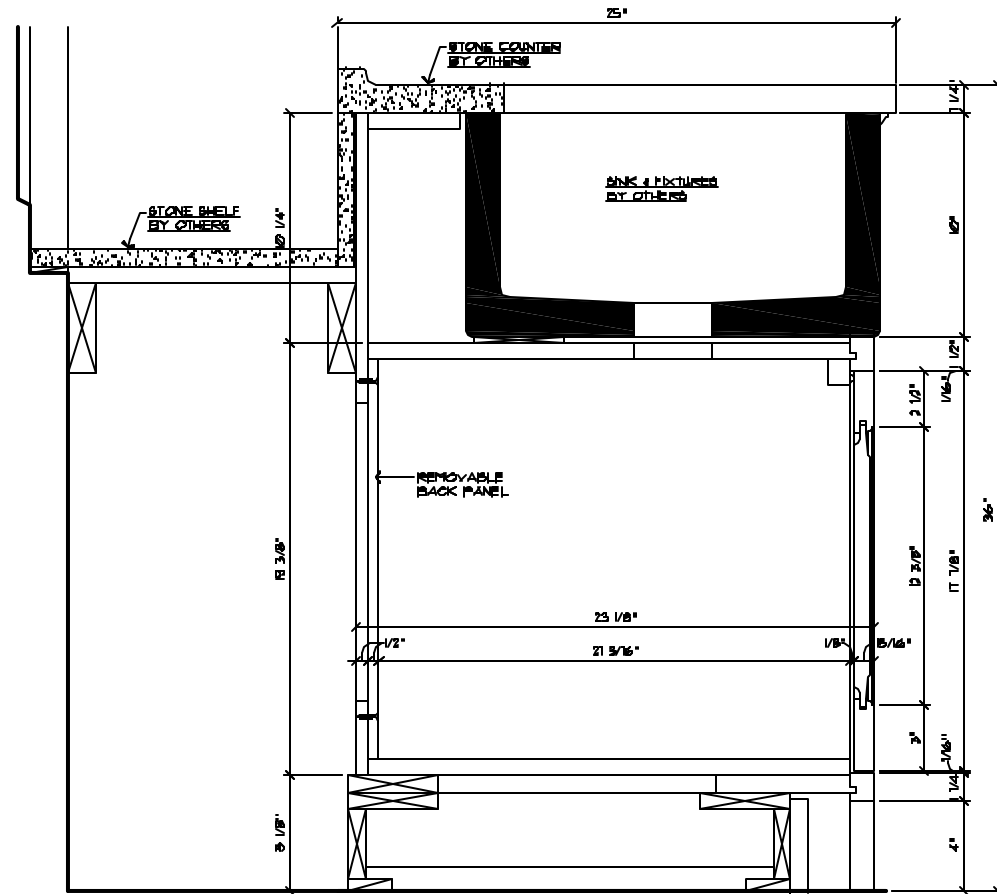
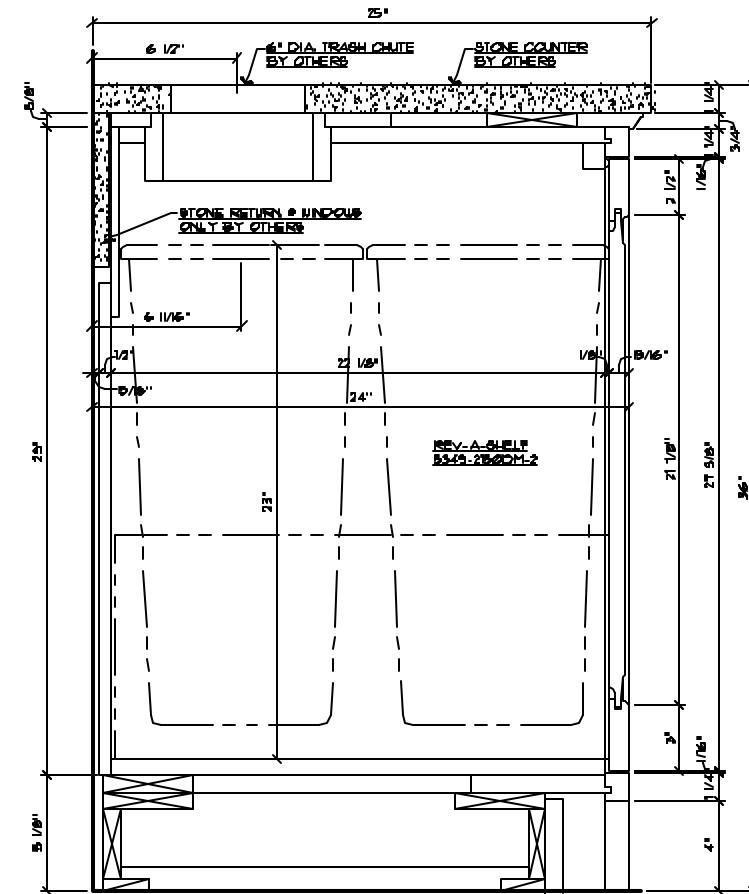


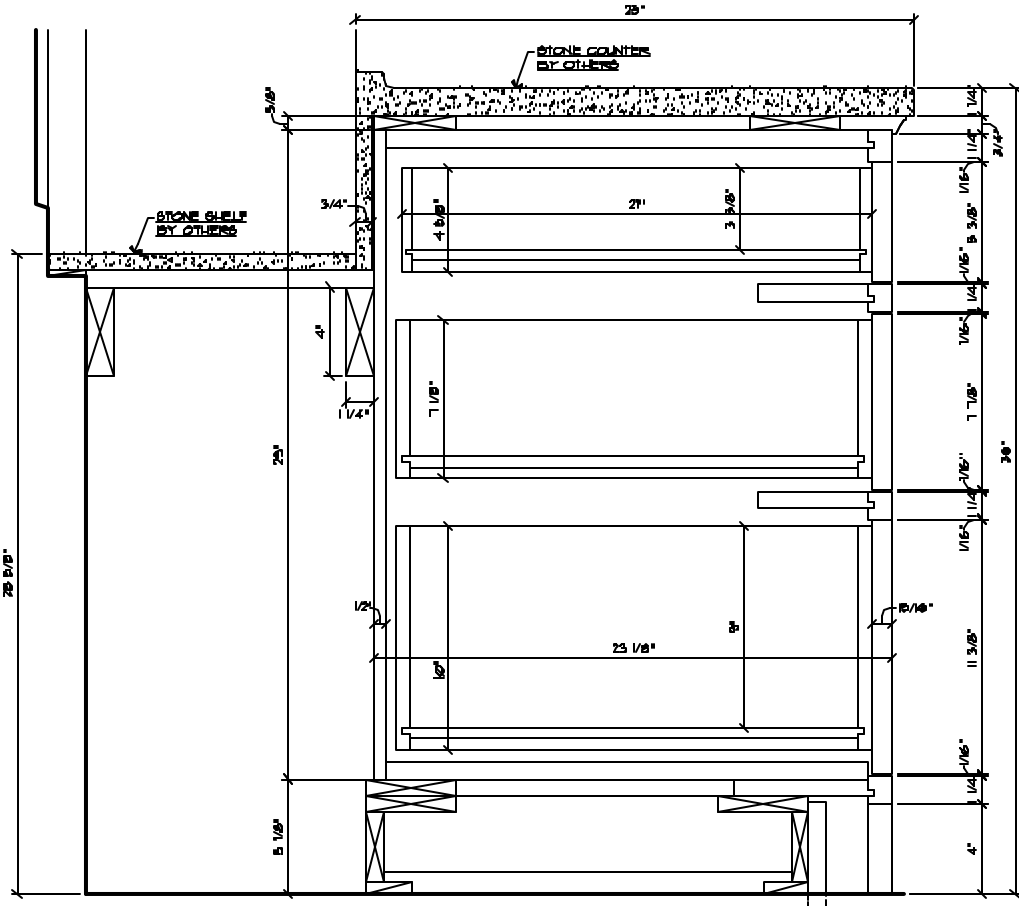
1 VERTICAL SECTION
SCALE: 3" = 1'-0"



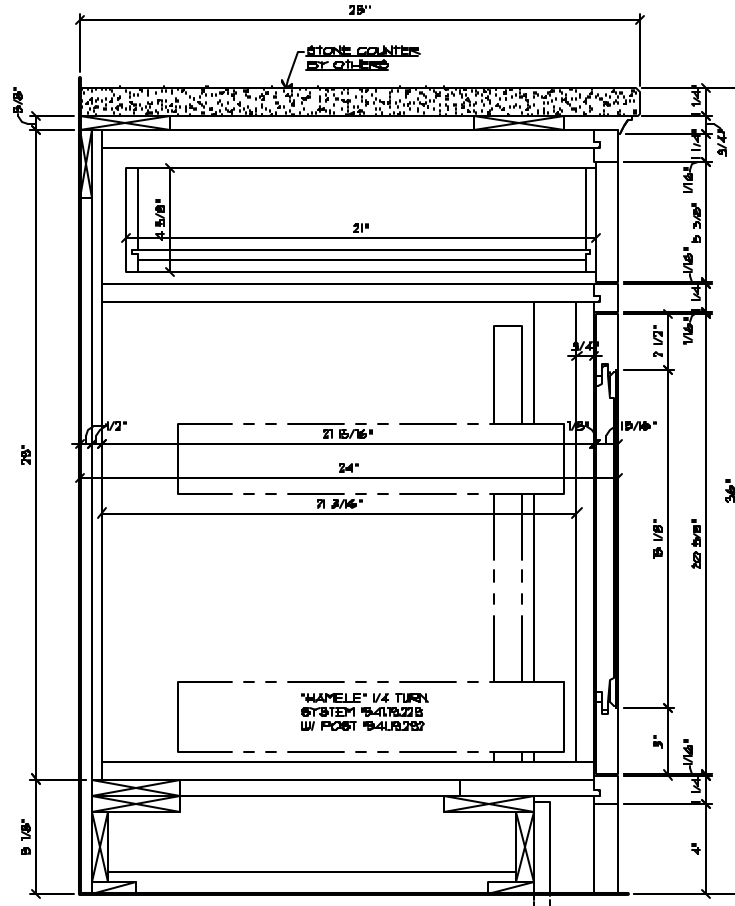
2 VERTICAL SECTION
SCALE: 3" = 1'-0"



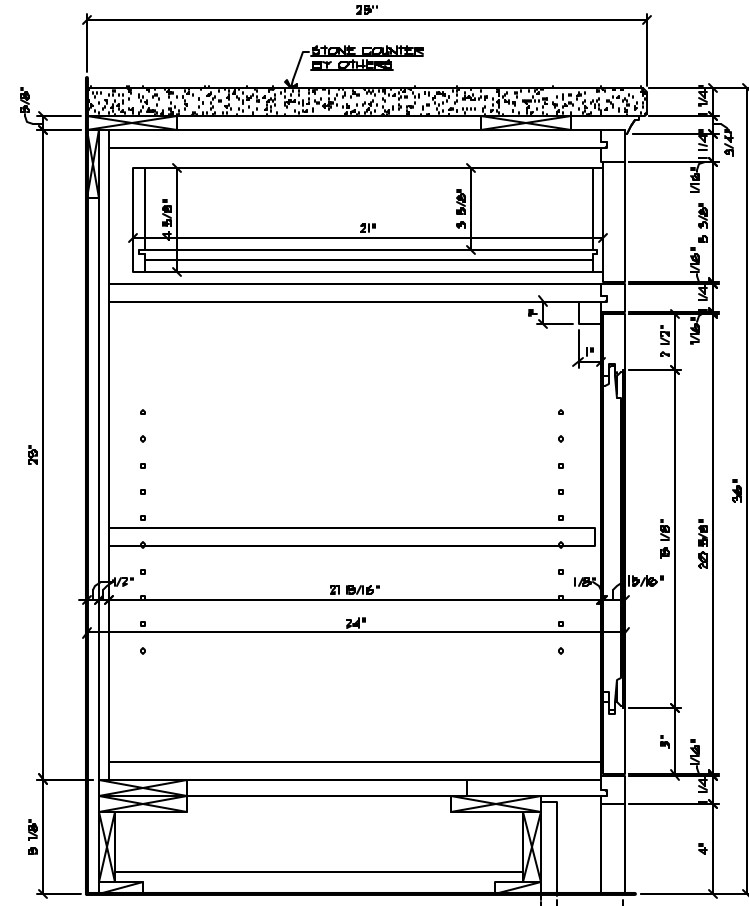
3 VERTICAL SECTION
SCALE: 3" = 1'-0"




4 VERTICAL SECTION
SCALE: 3" = 1'-0"



5 VERTICAL SECTION
SCALE: 3" = 1'-0"



6 VERTICAL SECTION
SCALE: 3" = 1'-0"

PROJECT:	06-23-06 REPPER ARCH. REDLINES
ARCHITECT/DESIGNER:	
CONTRACTOR:	
PROJECT:	Kitchen, Pantry, & Home Office
DRAWING TITLE:	
	
83 MAPLE AVE HANOVER, PA 17331 PHONE 717/630-0600 FAX 717/630-0601	
DATE:	06-8-06
AS NOTED	
NO.	06-2294
1.7	